



LIGHTING UP YOUR CREATIVITY

Registry of Designs
Intellectual Property Office Of Singapore
51 Bras Basah Road
#04-01 Plaza By The Park, Singapore 189554

Tel: (65) 339 8616 Fax: (65) 339 1369
<http://www.ipos.gov.sg>

In Reply Please Quote Our Reference

Your Ref :
Our Ref : RDMM/D03/D2004/1853/G
Date : 25/01/2005
Writer's Direct Line : 63302737

M/S RIBEN RENOVATION CONTRACTOR
928 YISHUN CENTRAL 1
#01 - 153
SINGAPORE 760928

Dear Sirs,

Design Application No. D2004/1853/G in Class & Subclass 25-02.

RIBEN RENOVATION CONTRACTOR

We refer to your application.

We are pleased to inform you that your application has been approved.

Please find enclosed the certificate of registration.

Yours faithfully,

MASLINA MALIK (MS)
ASSISTANT REGISTRAR
for REGISTRAR OF DESIGNS
SINGAPORE

This is a computer generated letter. No signature required.



REPUBLIC OF SINGAPORE
REGISTERED DESIGNS ACT 2000
CERTIFICATE ISSUED UNDER SECTION 18

DESIGN NUMBER : D2004/1853/G
DATE OF REGISTRATION : 26 October 2004

TO:

RIBEN RENOVATION CONTRACTOR

I HEREBY CERTIFY that under the provisions of the Registered Designs Act, your name has been entered in the Register as proprietor of the above Design Number as from 26 October 2004 in Class and Subclass 25-02 in respect of the following:-

REFUSE CHUTE HOPPER DOOR

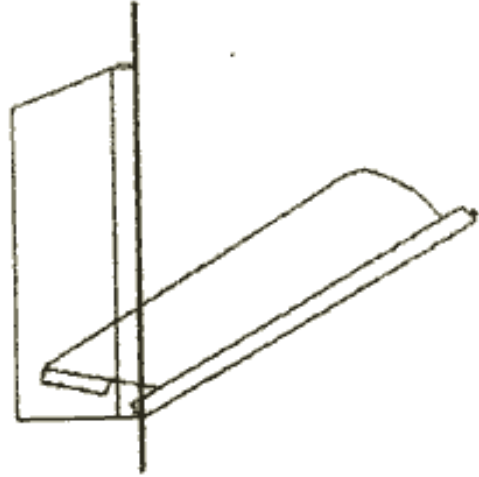
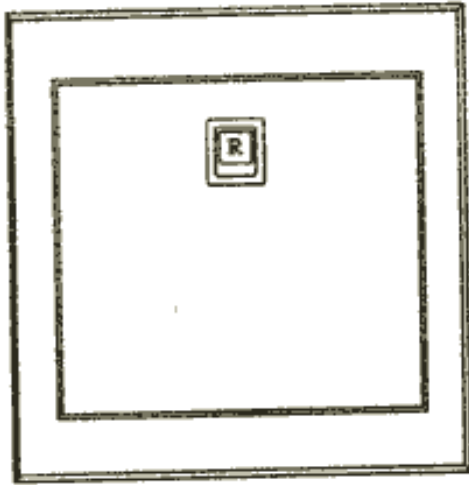
Registrar
REGISTRY OF DESIGNS
SINGAPORE

DATE OF ISSUE OF CERTIFICATE: 25 January 2005

A representation of the design is on the next page.

Registration is for a period of 5 Years and may be renewed at the expiration of this period and upon the expiration of each succeeding period of 5 Years.

[8005901501525]



Statement of Novelty:-

The features of the design for which novelty is claimed are the pattern and ornament of the article as shown in the representations.